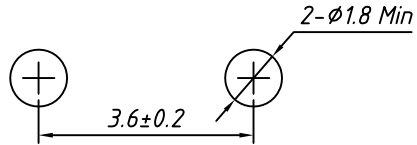
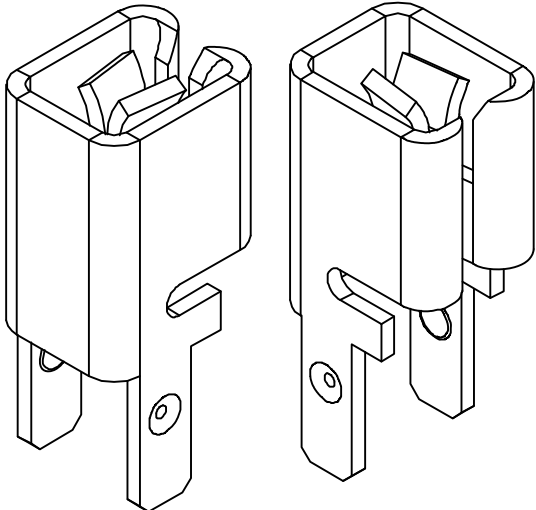



Characteristics:
 Voltage Rating: 250V
 Current Rating: 30A

Material:
 Contact: Brass, T=0.4mm, Tin Plated
 Fuse type:
 Medium Blade Fuse: KLS5-270-xxx



Recommend Mounting Hole

GENERAL TOLERANCE	PROJECTION		Description:
.X ±1.00	UNITS	mm	32V Medium Blade Fuse Clip
.X ±0.50	SCALE	8:1	
.XX ±0.30	Draw by:	Daniel	
ANGLE TOLERANCE	Check by:	Daniel	KLS P/N: L-KLS5-715T
±5°	Date	2022-09-01	 NingBo KLS ELECTRONIC CO.,L TD.
	SHEET	1 OF 1	